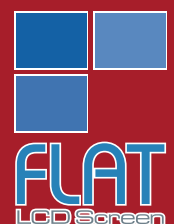




56P-QF60LCU

56" Quad Full High-Definition LCD Display

Quad full high-definition resolution (3840 x 2150 pixels) provides a new display solution for a wide range of applications that require ultrahigh resolution contents.



Applications



Traffic Management Systems

Suitable for port authorities or other traffic management systems that utilize map information and security camera images.



Network Management Systems

Ideal for a briefing and supervising of power or other utility network management systems that display detailed network information.



Design Review Systems

Perfect for car design reviews or other design simulations that utilize large amounts of computer graphic content.

Key Features

Ultrahigh Resolution

With more than 8 mega pixels in one 56" screen, the monitor has a resolution equivalent to 4 times full high definition (1920 x 1080 pixels), over 5 times SXGA+ (1400 x 1050 pixels) or 10 times XGA (1024 x 768 pixels).

High Brightness and Rich Contrast

A high brightness of 500cd/m² and remarkable 1200:1 contrast ensure sharp, crisp images.

Low Total Cost of Ownership

In addition to being able to duplicate a large-display system at a fraction of the cost, the cost of ownership is further reduced by a significantly longer operating life time and lower power consumption compared to other systems with similar resolution.

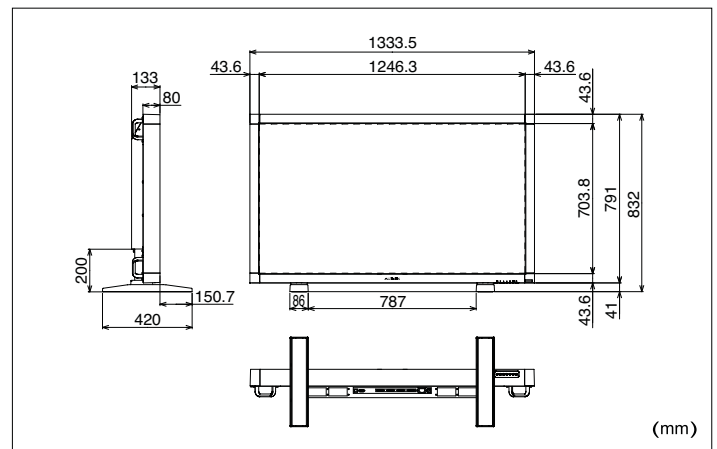
VESA Mounting Structure

The VESA standard mounting interface allows the monitor to be easily installed on walls or ceilings.

Specifications

Model Name	56P-QF60LCU	
Display Device	TFT LCD(Super MVA)	
Display Resolution	QFHD(3840 x 2160 Pixels)	
Viewable Image Size	56.2"[H: 1244.2mm/V: 699.8mm)	
Pixel Pitch	0.108(H)x0.324(V)	
Brightness	500cd/m ² (Typ.)@Bright mode 350cd/m ² (Typ.)@Normal mode	
Contrast Ratio	1200:1(Typ.)	
Response Speed	GTG 6.5ms *	
Viewing Angle(H/V)	176Degree	
Display Colors	16.7Million	
Back Light Operating Life	50000hrs(Average)	
Signal Input Terminal(Digital RGB)	DVI-Dx4	
RGB Input Scanning Frequency	Signal Resolution	1920x1080
	Horizontal	67.5kHz
	Vertical	60Hz
Pixel Clock Rate	25-165MHz	
Signal Format	TMDS	
Control Signal Input	RS-232C:	D-Sub9
	LAN:	RJ-45
Power Consumption	520W (Typ.)@Bright mode	
	430W (Typ.)@Normal mode	
Voltage Range	AC100-240V±10%, 50/60Hz±1Hz	
Operating Current	5.5 Amp.	
Dimensions	1333mm(W) x 832mm(H) x 133mm(D) [Display only]	
	52.5"[W] x 32.8"[H] x 5.3"[D]	
Operating Conditions	1333mm(W) x 832mm(H) x 420mm(D) [With stand]	
	52.5"[W] x 32.8"[H] x 16.5"[D]	
Weight	5-35C (41-95F) Degree	
	20-80% Non Condensing	
	51 kg / 112lbs	

*: Average of the response speeds between certain gradation levels (for example 0,63,127,191,255)



for a greener tomorrow

Eco Changes is the Mitsubishi Electric Group's environmental statement, and expresses the Group's stance on environmental management. Through a wide range of businesses, we are helping contribute to the realization of a sustainable society.

MITSUBISHI ELECTRIC CORPORATION
HEAD OFFICE : TOKYO BLDG., 2-7-3, MARUNOUCHI, CHIYODA-KU, TOKYO 100-8310, JAPAN

<http://global.mitsubishielectric.com/bu/displaywall/>

MITSUBISHI ELECTRIC SALES CANADA INC.
4299 14th Avenue, Markham, ON L3R 0J2 Fax: (905) 475-7958 Tel: (905) 475-7728
www.MitsubishiElectric.ca